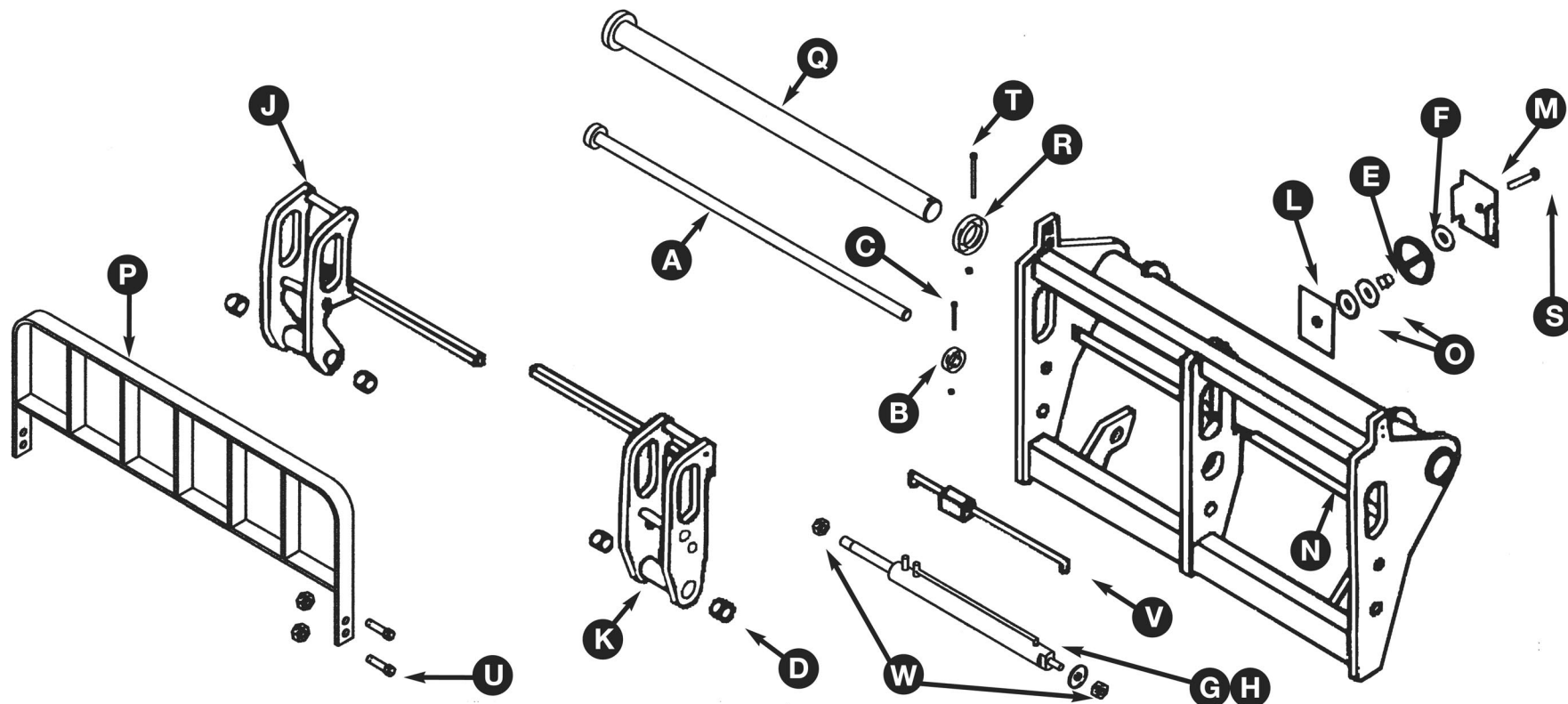


DESCRIPTION FORK POSITIONER



ITEM	PART NO.	DESCRIPTION	QTY
A	106025/5/30	BOTTOM GUIDE BAR MKII	1
A1	106025/5	BOTTOM GUIDE BAR MKI 25mm	1
B	106025/6/30	RETAINING COLLAR MKII	1
B1	106025/6	RETAINING COLLAR MKI 25mm	1
C	106025/14	HEX HD BOLT	1
D	106025/25/30	BUSH x2 (2 PER ACTUATOR) MKII	1
D1	106025/25	BUSH x2 (2 PER ACTUATOR) MKI 25mm	1
E	106025/24	PINION BUSH	1

ITEM	PART NO.	DESCRIPTION	QTY
F	106025/21	PINION	1
G	SK/103608	SEAL KIT	1
H	SK/10625	HYDRAULIC CYLINDER	1
J	106025/12/30	RIGHT HAND ACTUATOR MKII	1
J1	106025/12	RIGHT HAND ACTUATOR MKI 25mm	1
K	106025/26/30	LEFT HAND ACTUATOR MKII	1
K1	106025/26	LEFT HAND ACTUATOR MKI 25mm	1
L	106025/28	GUARD PLATE	1

ITEM	PART NO.	DESCRIPTION	QTY
M	106025/29	GUARD	1
N	106025/30	ANGLE RACK COVER	1
O	106025/31	NYLON WASHER	1
P	F292	LOADGUARD	1
Q	106025/4	PALLET FORK CARRYING BAR	1
R	106025/7	COLLAR	1
S	106025/23	PINION BOLT	1
T	106025/19	HEX HD BOLT	1
U	106025/33	4 off LOADGUARD BOLTS	1
V	106025/34	CYLINDER HOSE ASSEMBLY	1
W	106025/18	HEX BOLT	1