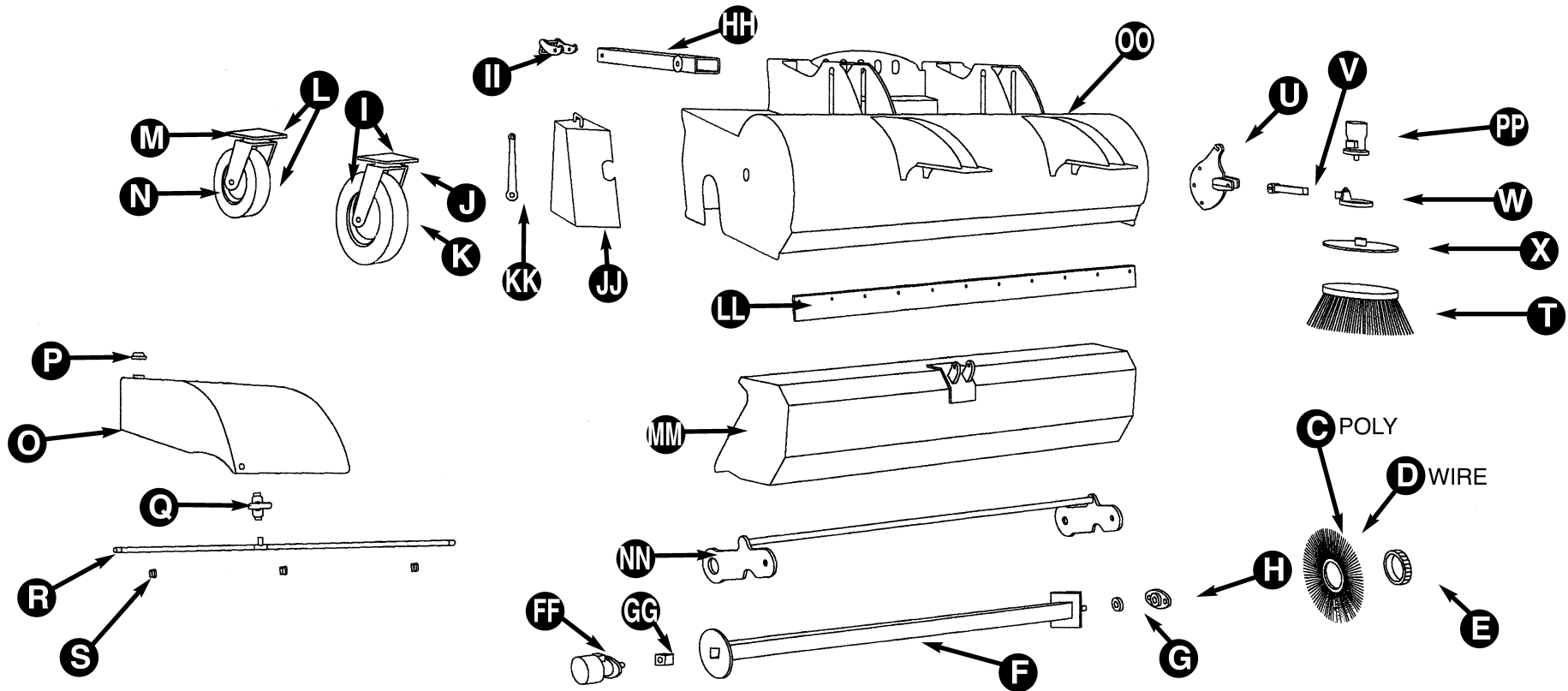


DESCRIPTION TELEHANDLER SWEEPER COLLECTOR



ITEM	PART NO.	DESCRIPTION	QTY
A	106318/1	REPLACEMENT BRISTLE SET - POLY	1
B	106318/2	REPLACEMENT BRISTLE SET - MIXED	1
C	106318/3	POLY BRISTLE	1
D	106318/4	WIRE BRISTLE	1
E	106318/5	PLASTIC SPACER	1
F	106318/6	BRISTLE CARTRIDGE	1
G	106318/7	COLLAR	1
H	106318/8	BEARING	1
I	106318/9	FRONT CASTOR COMPLETE	1
J	106318/10	FRONT CASTOR UNIT	1
K	106318/11	FRONT WHEEL & TYRE	1

ITEM	PART NO.	DESCRIPTION	QTY
L	106318/12	REAR CASTER COMPLETE	1
M	106318/13	REAR CASTER UNIT	1
N	106318/14	REAR WHEEL & TYRE	1
O	106318/15	WATER TANK	1
P	106318/16	WATER TANK CAP	1
Q	106318/17	WATER SPRINKLER TAP	1
R	106318/18	WATER SPRINKLER BAR	1
S	106318/19	WATER SPRINKLER BAR CLIP	1
T	106318/20	KERB BRUSH	1
U	106318/21	KERB BRUSH SWEEPER MOUNT	1
V	106318/22	KERB BRUSH ARM	1

ITEM	PART NO.	DESCRIPTION	QTY
W	106318/23	KERB BRUSH MOTOR HOLDER	1
X	106318/24	KERB BRUSH MOUNTING PLATE	1
GG	106318/34	HYDRAULIC MOTOR DRIVE BLOCK	1
HH	106318/35	TINE POCKET	1
II	106318/36	TINE LOCK	1
JJ	106318/37	HYDRAULIC MOTOR COVER	1
KK	106318/38	BRISTLE ADJUSTMENT SPANNER	1
LL	106318/39	RUBBER GUARD	1
MM	106318/40	COLLECTOR BUCKET	1
NN	106318/41	BRISTLE SWINGING ARM	1
OO	106318/42	SHELL	1